

F002



CROCHETED BABY BIB

SIZE: About 7.5" at widest point and 6.5" high.

MATERIALS: Lily Chin Signature Collection "Chelsea" (30% merino wool, 35% cotton, 35% acrylic, 50g/approx. 191 yards), 1 skein each White # 4907 or W and Lt. Pink 5803 or P.

Crochet hook, size E or size to obtain gauge.

GAUGE: 18 sc and 20 sc rows = 4". TO INSURE PROPER SIZE, BE SURE TO CHECK YOUR GAUGE.

NOTE: Carry color not in use loosely along side edge. To dec 2 sc tog, keep last lps of 2 sts to be dec tog on hook & work them off tog by yo & pull thru last 3 lps. When changing colors, work off last 2 lps of old color with new color.

BIB:

With W, loosely ch 48

Row 1 (RS)- Sc in 2nd ch from hook, 2 sc in next ch, sc in each of next 16 ch, sc dec next 2 ch, sc in each of next 7 ch, sc dec next 2 ch, sc in each of next 16 ch, 2 sc in next ch, sc in last ch - 47 sc.

Row 2 (WS)- Ch 1 and turn, sc in each of first 18 sc, dec next 2 sc tog, sc in each of next 7 sc, dec next 2 sc tog, sc in each of last 18 sc, changing to P at last st - 45 sts.

Row 3- Ch 1 and turn, sc in first sc, 2 sc in next sc, sc in each of next 15 sc, dec next 2 sc tog, sc in each of next 7 sc, dec next 2 sc tog, sc in each of next 15 sc, 2 sc in next sc, sc in last sc.

Row 4- Ch 1 and turn, sc in each of first 17 sc, dec next 2 sc tog, sc in each of next 7 sc, dec next 2 sc tog, sc in each of last 17 sc, changing to W at last st - 43 sts.

Rnd 5- Ch 1 and turn, sc in first sc, 2 sc in next sc, sc in each of next 14 sc, dec next 2 sc tog, sc in each of next 7 sc, dec next 2 sc tog, sc in each of next 14 sc, 2 sc in next sc, sc in last sc.

Row 6- Ch 1 and turn, sc in each of first 16 sc, dec next 2 sc tog, sc in each of next 7 sc, dec next 2 sc tog, sc in each of last 16 sc, changing to P at last st - 41 sts.

Row 7- Ch 1 and turn, sc in first sc, 2 sc in next sc, sc in each of next 13 sc, dec next 2 sc tog, sc in each of next 7 sc, dec next 2 sc tog, sc in each of next 13 sc, 2 sc in next sc, sc in last sc.

Row 8- Ch 1 and turn, sc in each of first 15 sc, dec next 2 sc tog, sc in each of next 7 sc, dec next 2 sc tog, sc in each of last 15 sc, changing to W at last st - 39 sts.

Row 9- Ch 1 and turn, sc in first sc, 2 sc in next sc, sc in each of next 12 sc, dec next 2 sc tog, sc in each of next 7 sc, dec next 2 sc tog, sc in each of next 12 sc, 2 sc in next sc, sc in last sc.

Row 10- Ch 1 and turn, sc in each of first 14 sc, dec next 2 sc tog, sc in each of next 7 sc, dec next 2 sc tog, sc in each of last 14 sc, changing to P at last st - 37 sts.

Row 11- Ch 1 and turn, sc in first sc, 2 sc in next sc, sc in each of next 11 sc, dec next 2 sc tog, sc in each of next 7 sc, dec next 2 sc tog, sc in each of next 11 sc, 2 sc in next sc, sc in last sc.

Row 12- Ch 1 and turn, sc in each of first 13 sc, dec next 2 sc tog, sc in each of next 7 sc, dec next 2 sc tog, sc in each of last 13 sc, changing to W at last st - 35 sts.

Row 13- Ch 1 and turn, sc in first sc, 2 sc in next sc, sc in each of next 10 sc, dec next 2 sc tog, sc in each of next 7 sc, dec next 2 sc tog, sc in each of next 10 sc, 2 sc in next sc, sc in last sc.

Row 14- Ch 1 and turn, sc in each of first 12 sc, dec next 2 sc tog, sc in each of next 7 sc, dec next 2 sc tog, sc in each of last 12 sc, changing to P at last st - 33 sts.

Row 15- Ch 1 and turn, sc in first sc, 2 sc in next sc, sc in each of next 9 sc, dec next 2 sc tog, sc in each of next 7 sc, dec next 2 sc tog, sc in each of next 9 sc, 2 sc in next sc, sc in last sc.

Row 16- Ch 1 and turn, sc in each of first 11 sc, dec next 2 sc tog, sc in each of next 7 sc, dec next 2 sc tog, sc in each of last 11 sc, changing to W at last st - 31 sts.

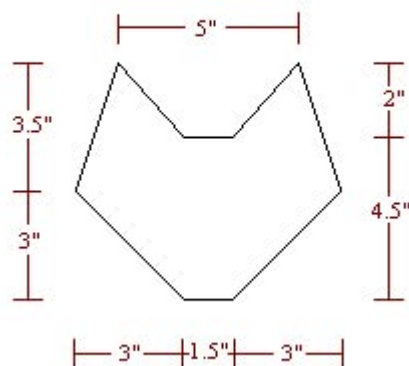
Row 17- Ch 1 and turn, sc in first sc, 2 sc in next sc, sc in each of next 8 sc, dec next 2 sc tog, sc in each of next 7 sc, dec next 2 sc tog, sc in each of next 8 sc, 2 sc in next sc, sc in last sc.

Row 18 - Ch 1 and turn, sc in each of first 10 sc, dec next 2 sc tog, sc in each of next 7 sc, dec next 2 sc tog, sc in each of last 10 sc, changing to P at last st, end off W - 31 sts.

TIES AND TRIM:

With P, for first tie, * loosely ch 61 sc in 2nd ch from hook and in each ch thereafter *, with RS facing, sc across 29 sc of last row, rep from * to * for other tie, sc evenly down side edge, bottom edge, then other side edge, join with sl st to beg of first tie. Ch 1 and do NOT turn, work 1 row of backwards or reverse sc (crab st) around all sts of last row, skipping over ties, fasten to beg and end off.

Baby Bib - schematics



Please do not make copies to pass out (neither electronically nor physically), please do not resell.